

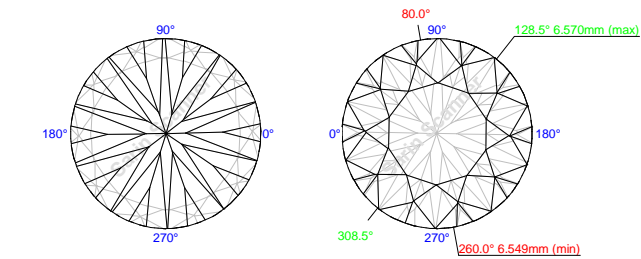
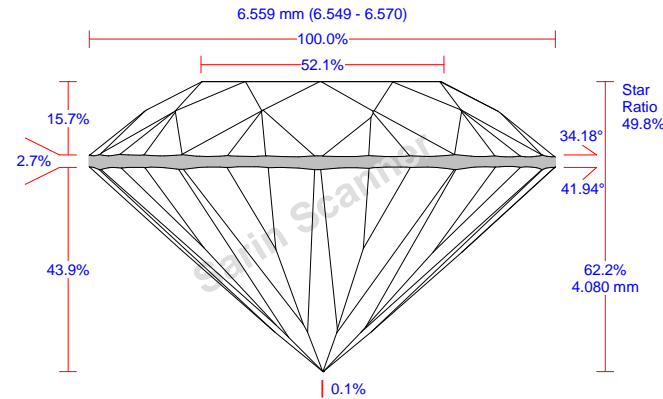
# DIAMCALC ILLUSTRATED REPORT

Good Old Gold, Inc. Solasfera

Model Sarin  
 Expert name J.W.  
 Report date 4/14/09  
 Real weight, ct 1.05  
 Calculated weight, ct 1.06, 1.0608  
 Measurements, mm 6.559 (6.549-6.570) x 4.080 /0.003  
 Spread -0.02 ct, -1.44%

## Average values, mm

Total height	Crown height	Pavilion depth	Table	Culet	Girdle		
					Bezel	Bone	Valley
4.080	1.032	2.878	3.418	0.009	0.176	N/A	0.178



Appraiser title AGS\_2005  
 Overall cut quality  
 Overall symmetry quality

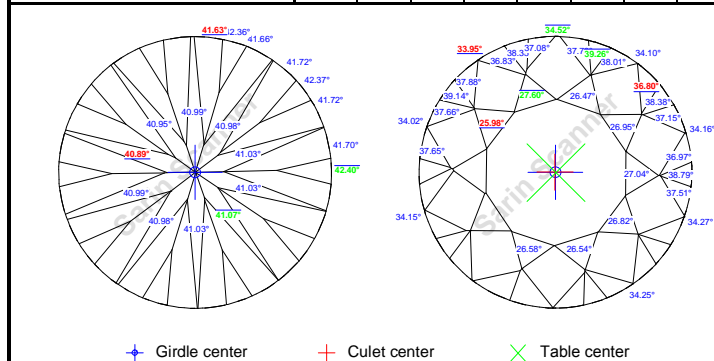
Symmetry	GIA Excellent
Polish	GIA Excellent
Color	F
Clarity	VS2
Fluorescence	None

Parameter	Avg	Min	Max	Dev	Cut	Sym
Diameter, mm	6.559	6.549	6.570	0.32%	N/A	EX
Crown angle, °	34.18	33.95	34.52	0.57	N/A	EX
Pavilion angle, °	41.94	41.63	42.40	0.77	N/A	EX
Total height, %	62.20				N/A	-
Crown height, %	15.73	15.57	15.96	0.40	N/A	EX
Pavilion depth, %	43.87	43.72	44.03	0.31	N/A	EX
Table, %	52.12	51.11	53.17	2.05	N/A	GD
Culet, %	0.14	0.08	0.17	0.10	0	EX
Girdle Bezel, %	2.68	2.05	3.25	1.20	0	VG
Girdle Bone, %	N/A	N/A	N/A	N/A	-	N/A
Girdle Valley, %	2.71	2.05	3.19	1.14	0	VG
Star: Upper ratio, %	49.80: 50.20	48.53: 51.47	51.07: 48.93	2.54	-	-
Star angle, °	26.75	25.98	27.60	1.62		GD
Upper girdle angle, °	37.82	36.80	39.26	2.46	-	GD
Lower girdle angle / Halves angle, °	40.99	40.89	41.07	0.18	-	EX
Twist, °	7.89	7.55	8.11	0.56	-	EX
Crown height, mm	1.032	1.021	1.047	0.026	-	-
Pavilion depth, mm	2.878	2.867	2.888	0.020	-	-
Table, mm	3.418	3.352	3.487	0.135	-	-
Culet, mm	0.009	0.005	0.011	0.006	-	-
Girdle Bezel, mm	0.176	0.134	0.213	0.079	-	-
Girdle Bone, mm	N/A	N/A	N/A	N/A	-	-
Girdle Valley, mm	0.178	0.134	0.209	0.075	-	-

## Measurement as per OctoNus theory:

Crown angle, °	N/A	N/A	N/A	N/A	-	-
Pavilion angle, °	N/A	N/A	N/A	N/A	-	-
Fish eye effect, °			N/A		N/A	-
Culet through Crown Bezel, °			N/A		N/A	-

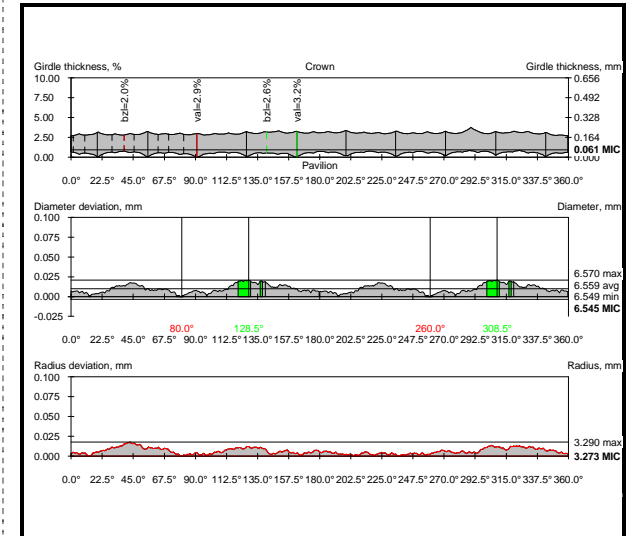
Parameter, °	1	2	3	4	5	6	7	8
Pav. azimuths deviation from ideal	0.00	-34.37	-61.73	-98.35	-133.68	-160.52	-162.88	-127.30
Crown azimuths deviation from ideal	-15.29	-	-	-	-	-	-	-
Crown painting	N/A	N/A	N/A	N/A	N/A	N/A	N/A	N/A
Pavilion painting	N/A	N/A	N/A	N/A	N/A	N/A	N/A	N/A



Offset by table axis		
Girdle-Culet	0.14 ± 0.19, %	0.009 ± 0.013, mm
Girdle-Table	0.22 ± 0.17, %	0.014 ± 0.011, mm
Table-Culet	0.36 ± 0.21, %	0.023 ± 0.014, mm

1	2	3	4	5	6	7	8
6.556	6.554	6.558	6.562				
34.15	34.02	33.95	34.52	34.10	34.16	34.27	34.25
42.40	41.70	41.72	42.37	41.72	41.66	42.36	41.63
N/A	N/A	N/A	N/A	N/A	N/A	N/A	N/A
N/A	N/A	N/A	N/A	N/A	N/A	N/A	N/A
51.20	53.17	52.99	51.11				
N/A	N/A	N/A	N/A	N/A	N/A	N/A	N/A
N/A	N/A	N/A	N/A	N/A	N/A	N/A	N/A
N/A	N/A	N/A	N/A	N/A	N/A	N/A	N/A
50.11: 49.89	49.35: 50.65	51.07: 48.93	50.76: 49.24	49.51: 50.49	50.24: 49.76	48.53: 51.47	48.83: 51.17
25.98	27.60	26.47	26.95	27.04	26.82	26.54	26.58
37.65	37.66	39.14	37.88	36.83	38.35	37.08	37.70
39.26	38.01	36.80	38.38	37.15	36.97	38.79	37.51
41.03	40.98	40.99	40.95	40.89	40.99	40.98	41.03
41.07	41.03	N/A	N/A	N/A	N/A	N/A	N/A
8.11	7.55	8.00	N/A	N/A	N/A	N/A	N/A
N/A	N/A	N/A	N/A	N/A	N/A	N/A	N/A
N/A	N/A	N/A	N/A	N/A	N/A	N/A	N/A
N/A	N/A	N/A	N/A	N/A	N/A	N/A	N/A
N/A	N/A	N/A	N/A	N/A	N/A	N/A	N/A
3.358	3.487	3.475	3.352				
N/A	N/A	N/A	N/A	N/A	N/A	N/A	N/A
N/A	N/A	N/A	N/A	N/A	N/A	N/A	N/A
N/A	N/A	N/A	N/A	N/A	N/A	N/A	N/A
N/A	N/A	N/A	N/A	N/A	N/A	N/A	N/A

N/A	N/A	N/A	N/A				
N/A	N/A	N/A	N/A				
Extra Facet / Nat	No						
Girdle to MIC, mm	0.003						



Paint / Dug	Avg	Max	Type
Crown, °	N/A	N/A	Classical
Crown, notches	N/A, N/A	N/A	
Pavilion, °	N/A	N/A	N/A
Pavilion, notches	N/A, N/A	N/A	

