

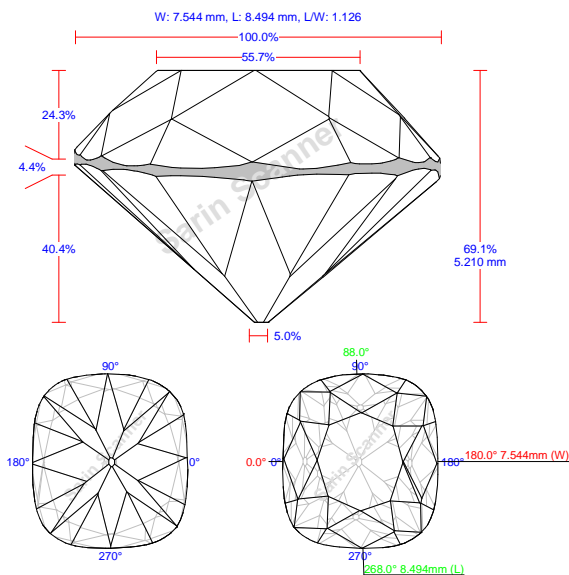
# DIAMCALC ILLUSTRATED REPORT

Good Old Gold, Inc. Cushion

Model Sarin  
 Expert name J.W  
 Report date 1/16/09  
 Real weight, ct 2.49  
 Calculated weight, ct 2.51, 2.5085  
 Spread -0.25 ct, -11.13 %  
 Total height 5.210 mm, 69.06 %  
 Extra Facet / Nat No

## Average values, mm

| Crown height: Side | Pavilion height: Side | Table: Side | Girdle: Side | Culet |
|--------------------|-----------------------|-------------|--------------|-------|
| 1.834              | 3.045                 | 4.466       | 0.330        | 0.377 |



Appraiser title AGS\_2005

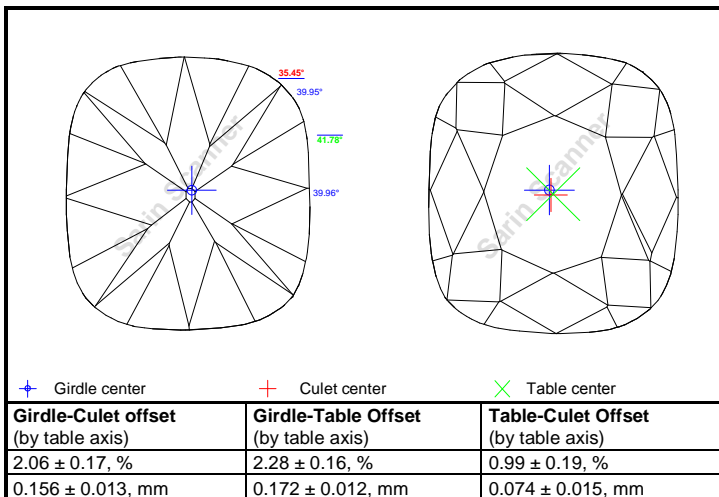
Overall cut quality N/A

Overall symmetry quality

|                     |               |
|---------------------|---------------|
| <b>Symmetry</b>     | AGS Very Good |
| <b>Polish</b>       | AGS Excellent |
| <b>Color</b>        | H             |
| <b>Clarity</b>      | SI1           |
| <b>Fluorescence</b> | None          |

| Parameters                | Avg    | Min    | Max    | Dev   | Cut | Sym |
|---------------------------|--------|--------|--------|-------|-----|-----|
| Corner width, %           | 120.33 | 119.61 | 121.04 | 1.44  |     |     |
| Crown height: Side, %     | 24.32  | 21.90  | 25.61  | 3.71  |     |     |
| Corner, %                 | 25.29  | 23.46  | 27.46  | 4.00  |     |     |
| Pavilion height: Side, %  | 40.37  | 39.20  | 43.17  | 3.97  |     |     |
| Corner, %                 | 40.75  | 39.96  | 41.93  | 1.97  |     |     |
| Total height, %           | 69.06  |        |        |       |     |     |
| Table: Side, %            | 55.67  | 55.25  | 56.09  | 0.83  |     |     |
| Table: Corn, %            | 51.61  | 50.68  | 52.53  | 1.86  |     |     |
| Corn w.r.t. Width, %      | 62.09  | 61.34  | 62.83  | 1.49  |     |     |
| Girdle: Side, %           | 4.37   | 3.99   | 4.97   | 0.98  |     |     |
| Thickn. Corner, %         | 3.02   | 1.41   | 4.92   | 3.51  |     |     |
| Culet, %                  | 4.99   | 3.79   | 5.84   | 2.04  |     |     |
| Corner width, mm          | 9.077  | 9.023  | 9.131  | 0.108 |     |     |
| Crown height: Side, mm    | 1.834  | 1.652  | 1.932  | 0.280 |     |     |
| Corner, mm                | 1.908  | 1.770  | 2.071  | 0.302 |     |     |
| Pavilion height: Side, mm | 3.045  | 2.957  | 3.257  | 0.300 |     |     |
| Corner, mm                | 3.074  | 3.015  | 3.163  | 0.149 |     |     |
| Total height, mm          | 5.210  |        |        |       |     |     |
| Table: Side, mm           | 4.466  | 4.168  | 4.764  | 0.596 |     |     |
| Table: Corner, mm         | 4.684  | 4.628  | 4.740  | 0.112 |     |     |
| Girdle: Side, mm          | 0.330  | 0.301  | 0.375  | 0.074 |     |     |
| Thickn. Corner, mm        | 0.228  | 0.106  | 0.371  | 0.265 |     |     |
| Culet, mm                 | 0.377  | 0.286  | 0.440  | 0.154 |     |     |

| Facet angles, ° | Avg   | Min   | Max   | Dev  | Cut | Sym |
|-----------------|-------|-------|-------|------|-----|-----|
| Crown Main 1    | N/A   | N/A   | N/A   | N/A  | -   | -   |
| Crown Main 2    | N/A   | N/A   | N/A   | N/A  | -   | -   |
| Crown Star 1    | N/A   | N/A   | N/A   | N/A  | -   | -   |
| Crown Star 2    | N/A   | N/A   | N/A   | N/A  | -   | -   |
| Crown Corner    | N/A   | N/A   | N/A   | N/A  | -   | -   |
| Pavilion Main   | 39.28 | 35.45 | 41.78 | 6.33 | -   | -   |
| Chevron 1       | N/A   | N/A   | N/A   | N/A  | -   | -   |
| Chevron 2       | N/A   | N/A   | N/A   | N/A  | -   | -   |
| Chevron 3       | N/A   | N/A   | N/A   | N/A  | -   | -   |
| Chevron 4       | N/A   | N/A   | N/A   | N/A  | -   | -   |
| Chevron 5       | N/A   | N/A   | N/A   | N/A  | -   | -   |
| Pavilion Corner | N/A   | N/A   | N/A   | N/A  | -   | -   |



| 1      | 2      | 3     | 4     | Facet azimuth angles |
|--------|--------|-------|-------|----------------------|
| 121.04 | 119.61 |       |       |                      |
| 24.44  | 25.61  | 21.90 | 25.32 |                      |
| 24.53  | 25.72  | 23.46 | 27.46 |                      |
| 39.65  | 39.20  | 43.17 | 39.46 |                      |
| 40.43  | 41.93  | 40.68 | 39.96 |                      |
| 55.25  | 56.09  |       |       |                      |
| 50.68  | 52.53  |       |       |                      |
| 61.34  | 62.83  |       |       |                      |
| 4.97   | 4.25   | 3.99  | 4.28  |                      |
| 4.11   | 1.41   | 4.92  | 1.64  |                      |
| 9.131  | 9.023  |       |       |                      |
| 1.844  | 1.932  | 1.652 | 1.910 |                      |
| 1.850  | 1.940  | 1.770 | 2.071 |                      |
| 2.991  | 2.957  | 3.257 | 2.977 |                      |
| 3.050  | 3.163  | 3.069 | 3.015 |                      |
| 4.168  | 4.764  |       |       |                      |
| 4.628  | 4.740  |       |       |                      |
| 0.375  | 0.321  | 0.301 | 0.323 |                      |
| 0.310  | 0.106  | 0.371 | 0.124 |                      |
|        |        |       |       |                      |

| 1     | 2     | 3     | 4     | 5   | 6   | 7   | 8   |
|-------|-------|-------|-------|-----|-----|-----|-----|
| N/A   | N/A   | N/A   | N/A   |     |     |     |     |
| N/A   | N/A   | N/A   | N/A   |     |     |     |     |
| N/A   | N/A   | N/A   | N/A   | N/A | N/A | N/A | N/A |
| N/A   | N/A   | N/A   | N/A   | N/A | N/A | N/A | N/A |
| N/A   | N/A   | N/A   | N/A   |     |     |     |     |
| 39.96 | 41.78 | 39.95 | 35.45 |     |     |     |     |
| N/A   | N/A   | N/A   | N/A   | N/A | N/A | N/A | N/A |
| N/A   | N/A   | N/A   | N/A   | N/A | N/A | N/A | N/A |
| N/A   | N/A   | N/A   | N/A   | N/A | N/A | N/A | N/A |
| N/A   | N/A   | N/A   | N/A   | N/A | N/A | N/A | N/A |
| N/A   | N/A   | N/A   | N/A   | N/A | N/A | N/A | N/A |
| N/A   | N/A   | N/A   | N/A   |     |     |     |     |

