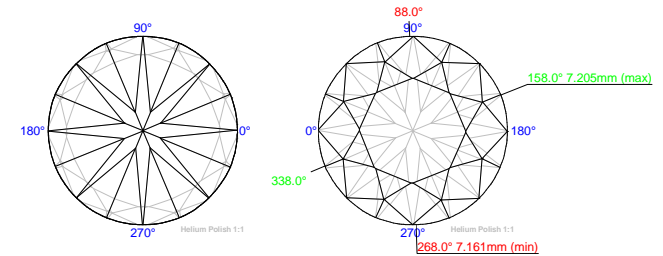
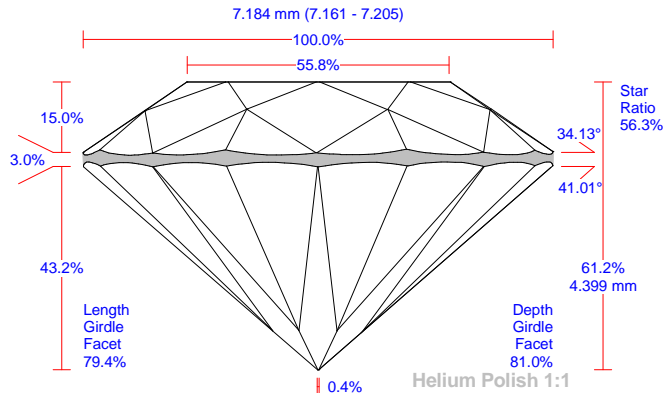


DIAMCALC ILLUSTRATED REPORT

Good Old Gold, Inc. Polished Brilliant

Model Helium
 Expert name J.W.
 Report date 22.08.2008
 Real weight, ct 1.37
 Calculated weight, ct 1.37, 1.3748
 Measurements, mm 7.184 (7.161-7.205) x 4.399 /0.002
 Spread 0.00 ct, 0.25%

Average values, mm							
Total height	Crown height	Pavilion depth	Table	Culet	Girdle		
					Bezel	Bone	Valley
4.399	1.075	3.106	4.006	0.028	0.217	0.244	0.115



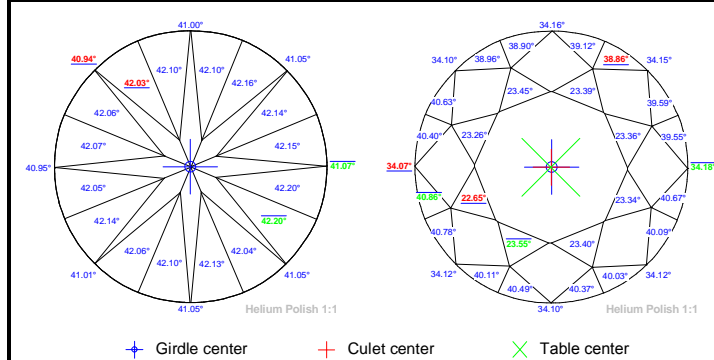
Appraiser title AGS_2005
 Overall cut quality 0
 Overall symmetry quality IDEAL

Symmetry	GIA Excellent
Polish	GIA Excellent
Color	I
Clarity	VS2
Fluorescence	None

Parameter	Avg	Min	Max	Dev	Cut	Sym
Diameter, mm	7.184	7.161	7.205	0.61%	N/A	EX
Crown angle, °	34.13	34.07	34.18	0.11	N/A	EX
Pavilion angle, °	41.01	40.94	41.07	0.13	N/A	EX
Total height, %	61.23				N/A	-
Crown height, %	14.96	14.76	15.12	0.36	N/A	EX
Pavilion depth, %	43.24	43.12	43.43	0.30	N/A	EX
Table, %	55.76	55.49	56.13	0.63	N/A	EX
Culet, %	0.39	0.31	0.45	0.14	0	EX
Girdle Bezel, %	3.02	2.83	3.20	0.37	0	EX
Girdle Bone, %	3.39	3.29	3.53	0.24	-	EX
Girdle Valley, %	1.60	1.35	1.74	0.38	0	EX
Star: Upper ratio, %	56.34: 43.66	54.82: 45.18	57.53: 42.47	2.71	-	-
Star angle, °	23.30	22.65	23.55	0.90		EX
Upper girdle angle, °	39.96	38.86	40.86	2.01	-	GD
Lower girdle angle / Halves angle, °	42.11	42.03	42.20	0.18	-	EX
Twist, °	0.46	0.08	0.92	0.84	-	EX
Crown height, mm	1.075	1.061	1.086	0.026	-	-
Pavilion depth, mm	3.106	3.098	3.120	0.022	-	-
Table, mm	4.006	3.987	4.032	0.046	-	-
Culet, mm	0.028	0.022	0.032	0.010	-	-
Girdle Bezel, mm	0.217	0.203	0.230	0.027	-	-
Girdle Bone, mm	0.244	0.236	0.253	0.017	-	-
Girdle Valley, mm	0.115	0.097	0.125	0.028	-	-

Measurement as per OctoNus theory:						
Crown angle, °	34.13	34.11	34.14	0.03	-	-
Pavilion angle, °	41.01	40.99	41.03	0.04	-	-
Fish eye effect, °			9.80		N/A	-
Culet through Crown Bezel, °			10.18		N/A	-

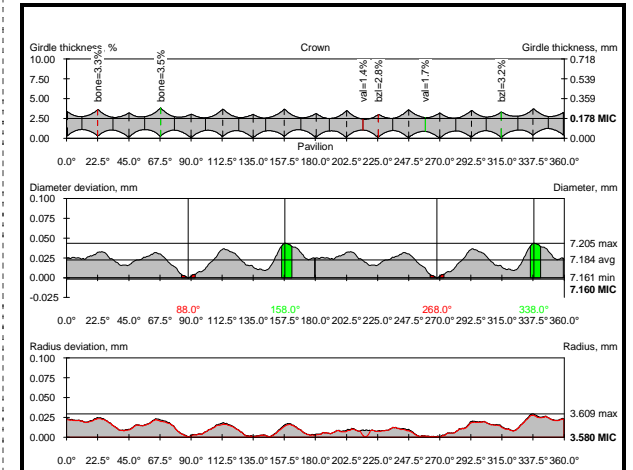
Parameter, °	1	2	3	4	5	6	7	8
Pav. azimuths deviation from ideal	0.00	0.03	0.01	0.17	0.13	0.24	0.08	-0.06
Crown azimuths deviation from ideal	0.92	0.95	0.48	0.08	-0.30	0.06	0.20	-0.60
Crown painting	-1.64	-1.10	-3.52	-3.37	-3.06	-3.22	-2.97	-3.18
Pavilion painting	0.06	0.13	-0.12	-0.11	-0.04	0.16	-0.19	-0.02
	-0.16	0.11	-0.27	0.01	-0.18	-0.11	0.06	0.07



Offset by table axis			
Girdle-Culet	0.16 ± 0.19, %		0.012 ± 0.013, mm
Girdle-Table	0.32 ± 0.16, %		0.023 ± 0.012, mm
Table-Culet	0.16 ± 0.20, %		0.012 ± 0.014, mm

1	2	3	4	5	6	7	8
7.186	7.177	7.163	7.175				
34.07	34.10	34.16	34.15	34.18	34.12	34.10	34.12
41.07	41.05	41.00	40.94	40.95	41.01	41.05	41.05
14.76	14.91	15.07	15.10	15.00	15.12	14.92	14.79
43.43	43.25	43.19	43.18	43.25	43.26	43.12	43.23
56.13	55.60	55.49	55.81				
3.03	3.06	2.95	2.95	2.98	2.83	3.18	3.20
3.29	3.53	3.46	3.42	3.31	3.50	3.36	3.29
1.61	1.60	1.62	1.68	1.57	1.67	1.62	1.51
1.57	1.35	1.52	1.74	1.63	1.71	1.73	1.51
56.72: 43.28	55.31: 23.45	54.82: 45.18	57.53: 42.47	56.03: 43.97	57.35: 42.65	55.97: 44.03	56.97: 43.03
23.26	23.45	23.39	23.36	23.34	23.40	23.55	22.65
40.40	40.63	38.96	38.90	39.12	38.86	39.59	39.55
40.67	40.09	40.03	40.37	40.49	40.11	40.78	40.86
42.15	42.14	42.16	42.10	42.10	42.03	42.06	42.07
42.05	42.14	42.06	42.10	42.13	42.04	42.20	42.20
0.92	0.92	0.47	0.08	0.43	0.18	0.12	0.54
1.061	1.071	1.082	1.085	1.077	1.086	1.072	1.063
3.120	3.107	3.103	3.102	3.107	3.108	3.098	3.106
4.032	3.994	3.987	4.010				
0.218	0.220	0.212	0.212	0.214	0.203	0.229	0.230
0.236	0.253	0.249	0.246	0.238	0.252	0.241	0.236
0.116	0.115	0.116	0.121	0.113	0.120	0.116	0.109
0.113	0.097	0.109	0.125	0.117	0.123	0.124	0.108

34.13	34.11	34.13	34.14				
41.01	41.03	41.02	40.99				
Extra Facet / Nat	No						
Girdle to MIC, mm	0.002						



Paint / Dug	Avg	Max	Type
Crown, °	-2.14	-3.52	Classical
Crown, notches	0.6, Small	0.9	
Pavilion, °	-0.04	-0.27	
Pavilion, notches	0.0, Negligible	0.1	