

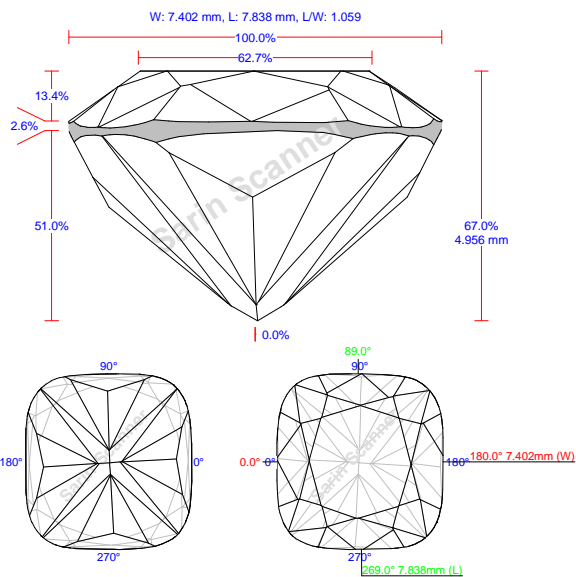
DIAMCALC ILLUSTRATED REPORT

Good Old Gold, Inc. Cushion

Model: Cushion
 Expert name: JW
 Report date: 8/6/08
 Real weight, ct: 2.17
 Calculated weight, ct: 2.17, 2.1704
 Spread: -0.11 ct, -5.55 %
 Total height: 4.956 mm, 66.96 %
 Extra Facet / Nat: No

Average values, mm

Crown height: Side	Pavilion height: Side	Table: Side	Girdle: Side	Culet
0.991	3.773	4.780	0.191	0.000

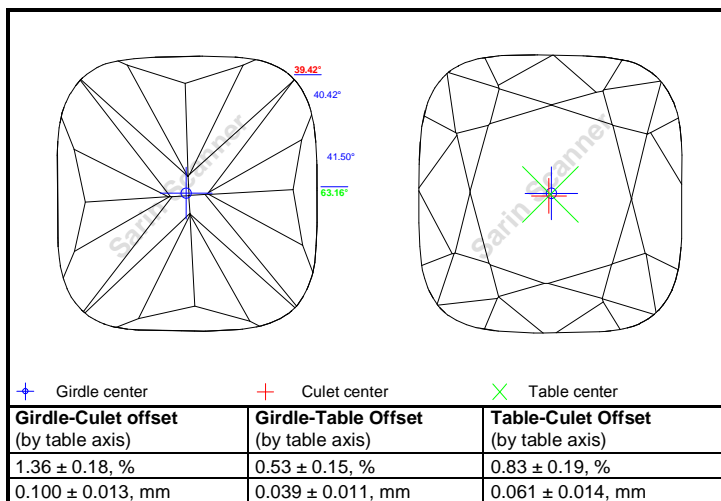


Appraiser title: AGS_2005
 Overall cut quality: N/A
 Overall symmetry quality:

Symmetry	GIA Very Good
Polish	GIA Excellent
Color	I
Clarity	SI1
Fluorescence	None

Parameters	Avg	Min	Max	Dev	Cut	Sym
Corner width, %	120.69	120.52	120.85	0.33	-	
Crown height	13.39	13.27	13.53	0.26	N/A	
Side, %	15.10	14.90	15.34	0.44	-	
Corner, %	50.98	50.79	51.15	0.36	N/A	
Pavilion height	49.73	49.53	50.10	0.56	-	
Side, %	66.96				N/A	
Total height, %	62.69	61.27	64.10	2.83	N/A	
Table: Side, %	58.61	58.60	58.61	0.01	-	
Table: Corn, %	70.73	70.62	70.84	0.21	-	
Corn w.r.t. Width, %	2.59	2.51	2.66	0.15	-	
Girdle Side, %	2.14	1.93	2.53	0.60	-	
Thickn. Corner, %	0.00	0.00	0.00	0.00	N/A	
Culet, %	8.933	8.920	8.945	0.025	-	
Corner width, mm	0.991	0.982	1.001	0.019	-	
Crown height	1.118	1.103	1.135	0.032	-	
Side, mm	3.773	3.760	3.786	0.027	-	
Pavilion height	3.681	3.666	3.708	0.042	-	
Side, mm	4.956				-	
Total height, mm	4.780	4.535	5.025	0.489	-	
Table: Side, mm	5.235	5.227	5.243	0.016	-	
Table: Corner, mm	0.191	0.185	0.197	0.011	-	
Girdle Side, mm	0.158	0.143	0.187	0.044	-	
Thickn. Corner, mm	0.000	0.000	0.000	0.000	-	
Culet, mm						

Facet angles, °	Avg	Min	Max	Dev	Cut	Sym
Crown Main 1	N/A	N/A	N/A	N/A	-	-
Crown Main 2	N/A	N/A	N/A	N/A	-	-
Crown Star 1	N/A	N/A	N/A	N/A	-	-
Crown Star 2	N/A	N/A	N/A	N/A	-	-
Crown Corner	N/A	N/A	N/A	N/A	-	-
Pavilion Main	46.12	39.42	63.16	23.74	-	-
Chevron 1	N/A	N/A	N/A	N/A	-	-
Chevron 2	N/A	N/A	N/A	N/A	-	-
Chevron 3	N/A	N/A	N/A	N/A	-	-
Chevron 4	N/A	N/A	N/A	N/A	-	-
Chevron 5	N/A	N/A	N/A	N/A	-	-
Pavilion Corner	N/A	N/A	N/A	N/A	-	-



1	2	3	4	Facet azimuth angles
120.85	120.52			
13.27	13.53	13.43	13.35	
14.94	15.22	14.90	15.34	
51.15	50.79	50.87	51.10	
50.10	49.70	49.53	49.58	
61.27	64.10			
58.61	58.60		0.988	
70.84	70.62		1.103	
2.54	2.64	2.66	2.51	
1.93	2.05	2.53	2.04	
8.945	8.920			
0.982	1.001	0.994	0.988	
1.106	1.127	1.103	1.135	
3.786	3.760	3.766	3.782	
3.708	3.678	3.666	3.670	
4.535	5.025			
5.243	5.227			
0.188	0.196	0.197	0.185	
0.143	0.151	0.187	0.151	

1	2	3	4	5	6	7	8
N/A	N/A	N/A	N/A				
N/A	N/A	N/A	N/A				
N/A	N/A	N/A	N/A	N/A	N/A	N/A	N/A
N/A	N/A	N/A	N/A	N/A	N/A	N/A	N/A
N/A	N/A	N/A	N/A				
63.16	41.50	40.42	39.42				
N/A	N/A	N/A	N/A	N/A	N/A	N/A	N/A
N/A	N/A	N/A	N/A	N/A	N/A	N/A	N/A
N/A	N/A	N/A	N/A	N/A	N/A	N/A	N/A
N/A	N/A	N/A	N/A	N/A	N/A	N/A	N/A
N/A	N/A	N/A	N/A	N/A	N/A	N/A	N/A
N/A	N/A	N/A	N/A				

