

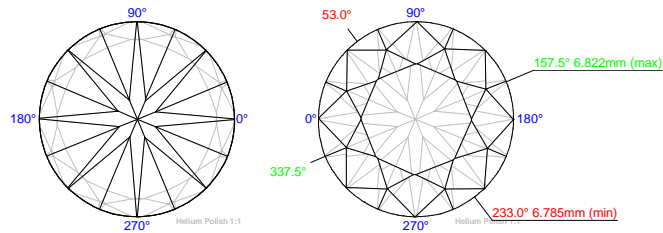
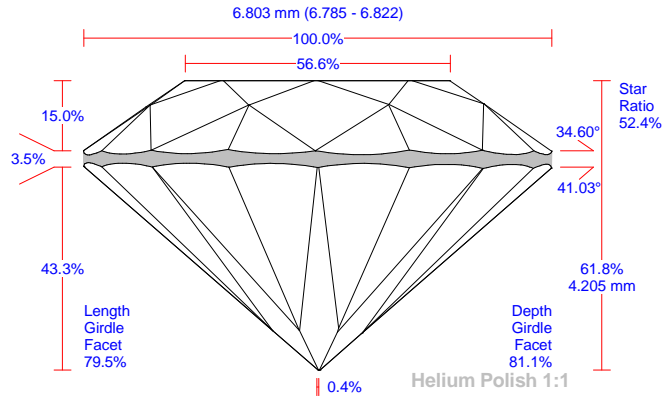
# DIAMCALC ILLUSTRATED REPORT

Good Old Gold, Inc. Polished Brilliant

Model Helium  
 Expert name J.W.  
 Report date 20.08.2008  
 Real weight, ct 1.19  
 Calculated weight, ct 1.19, 1.1941  
 Measurements, mm 6.803 (6.785-6.822) x 4.205 /0.001  
 Spread -0.02 ct, -2.02%

## Average values, mm

Total height	Crown height	Pavilion depth	Table	Culet	Girdle		
					Bezel	Bone	Valley
4.205	1.020	2.946	3.851	0.026	0.236	0.236	0.126



Appraiser title AGS\_2005  
 Overall cut quality 0  
 Overall symmetry quality IDEAL

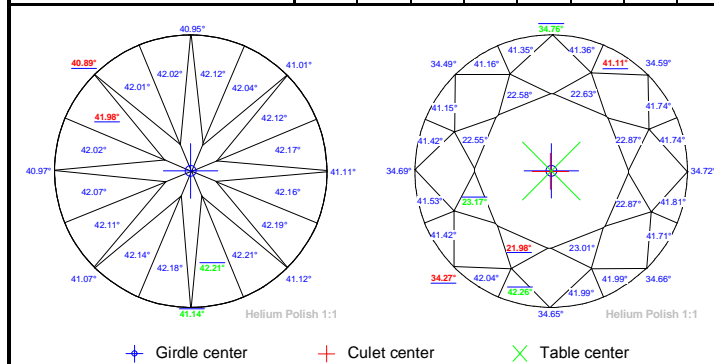
<b>Symmetry</b>	GIA Excellent
<b>Polish</b>	GIA Excellent
<b>Color</b>	H
<b>Clarity</b>	VS1
<b>Fluorescence</b>	Faint

Parameter	Avg	Min	Max	Dev	Cut	Sym
Diameter, mm	6.803	6.785	6.822	0.54%	N/A	EX
Crown angle, °	34.60	34.27	34.76	0.48	N/A	EX
Pavilion angle, °	41.03	40.89	41.14	0.26	N/A	EX
Total height, %	61.81				N/A	-
Crown height, %	14.99	14.90	15.09	0.19	N/A	EX
Pavilion depth, %	43.31	43.05	43.47	0.42	N/A	EX
Table, %	56.61	56.49	56.81	0.32	N/A	EX
Culet, %	0.39	0.32	0.42	0.10	0	EX
Girdle Bezel, %	3.48	3.25	3.85	0.60	0	EX
Girdle Bone, %	3.46	3.03	3.79	0.76	-	EX
Girdle Valley, %	1.85	1.38	2.30	0.92	0	EX
Star: Upper ratio, %	52.37: 47.63	50.70: 49.30	55.96: 44.04	5.26	-	-
Star angle, °	22.71	21.98	23.17	1.19		VG
Upper girdle angle, °	41.61	41.11	42.26	1.15	-	VG
Lower girdle angle / Halves angle, °	42.11	41.98	42.21	0.24	-	EX
Twist, °	0.61	0.09	1.06	0.96	-	EX
Crown height, mm	1.020	1.014	1.027	0.013	-	-
Pavilion depth, mm	2.946	2.929	2.957	0.029	-	-
Table, mm	3.851	3.843	3.865	0.022	-	-
Culet, mm	0.026	0.022	0.029	0.007	-	-
Girdle Bezel, mm	0.236	0.221	0.262	0.041	-	-
Girdle Bone, mm	0.236	0.206	0.258	0.052	-	-
Girdle Valley, mm	0.126	0.094	0.157	0.063	-	-

## Measurement as per OctoNus theory:

Crown angle, °	34.60	34.43	34.70	0.27	-	-
Pavilion angle, °	41.03	41.00	41.04	0.04	-	-
Fish eye effect, °			9.34		N/A	-
Culet through Crown Bezel, °			9.73		N/A	-

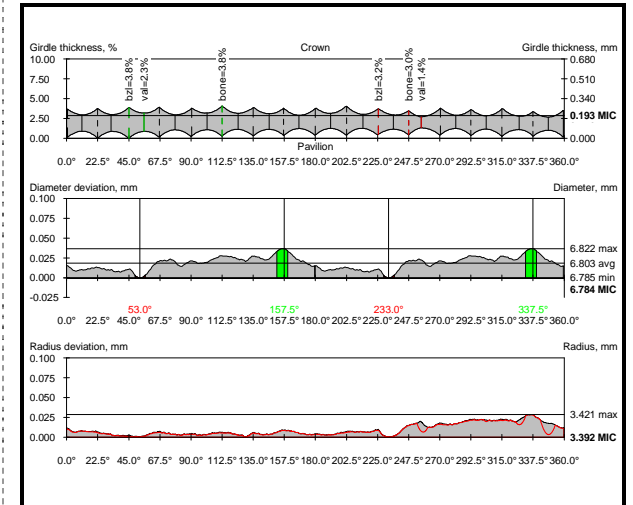
Parameter, °	1	2	3	4	5	6	7	8
Pav. azimuths deviation from ideal	0.00	-0.00	-0.14	-0.30	-0.29	-0.24	-0.01	0.04
Crown azimuths deviation from ideal	-0.47	-0.86	-0.72	-0.39	-0.60	0.36	-0.88	1.10
Crown painting	0.57	-0.57	0.22	-1.16	-0.09	-1.08	0.50	-0.71
Pavilion painting	-0.01	0.04	-0.24	-0.05	0.04	-0.27	0.11	-0.29
	0.03	-0.22	0.08	0.06	-0.12	0.22	-0.18	-0.01



Offset by table axis		
Girdle-Culet	0.37 ± 0.20, %	0.025 ± 0.013, mm
Girdle-Table	0.02 ± 0.17, %	0.001 ± 0.012, mm
Table-Culet	0.37 ± 0.21, %	0.025 ± 0.014, mm

1	2	3	4	5	6	7	8
6.800	6.795	6.806	6.812				
34.69	34.49	34.76	34.59	34.72	34.66	34.65	34.27
41.11	41.01	40.95	40.89	40.97	41.07	41.14	41.12
15.09	14.91	14.99	14.90	14.99	15.04	14.98	15.04
43.17	43.05	43.27	43.34	43.45	43.47	43.44	43.28
56.57	56.49	56.81	56.57				
3.54	3.85	3.49	3.54	3.33	3.25	3.34	3.46
3.73	3.78	3.79	3.41	3.65	3.03	3.24	3.09
2.04	2.12	2.30	1.88	2.09	2.01	1.97	1.67
1.89	1.75	1.78	1.38	1.67	1.66	1.68	1.66
50.70: 49.30	51.90: 48.10	53.24: 46.76	52.83: 47.17	55.96: 44.04	51.42: 48.58	51.47: 48.53	51.41: 48.59
22.55	22.58	22.63	22.87	22.87	23.01	21.98	23.17
41.42	41.15	41.16	41.35	41.36	41.11	41.74	41.74
41.81	41.71	41.99	41.99	42.26	42.04	41.42	41.53
42.17	42.12	42.04	42.12	42.02	42.01	41.98	42.02
42.07	42.11	42.14	42.18	42.21	42.21	42.19	42.16
0.47	0.86	0.58	0.09	0.32	0.60	0.88	1.06
1.027	1.014	1.020	1.014	1.020	1.023	1.019	1.023
2.937	2.929	2.944	2.949	2.956	2.957	2.955	2.944
3.849	3.843	3.865	3.849				
0.241	0.262	0.238	0.241	0.227	0.221	0.227	0.235
0.253	0.257	0.258	0.232	0.248	0.206	0.221	0.210
0.139	0.145	0.157	0.128	0.142	0.137	0.134	0.114
0.129	0.119	0.121	0.094	0.114	0.113	0.114	0.113

34.70	34.58	34.70	34.43				
41.04	41.04	41.04	41.00				
<b>Extra Facet / Nat</b>	No						
<b>Girdle to MIC, mm</b>	0.001						



Paint / Dug	Avg	Max	Type
Crown, °	-0.03	1.70	Classical
Crown, notches	0.0, Negligible	0.5	
Pavilion, °	-0.05	-0.29	
Pavilion, notches	0.0, Negligible	0.1	