

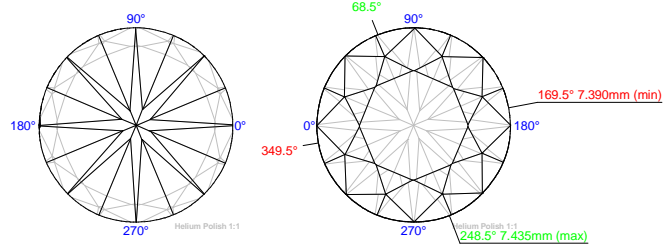
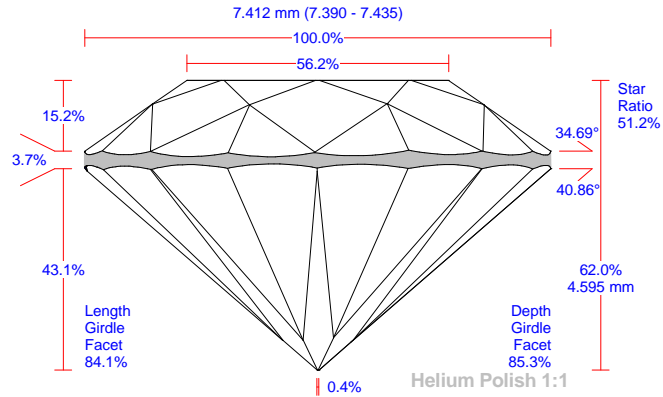
# DIAMCALC ILLUSTRATED REPORT

Good Old Gold, Inc. Polished Brilliant

Model Helium  
 Expert name J.W.  
 Report date 27.05.2008  
 Real weight, ct 1.55  
 Calculated weight, ct 1.55, 1.5546  
 Measurements, mm 7.412 (7.390-7.435) x 4.595 /0.011  
 Spread -0.04 ct, -2.75%

## Average values, mm

Total height	Crown height	Pavilion depth	Table	Culet	Girdle		
					Bezel	Bone	Valley
4.595	1.123	3.193	4.163	0.027	0.278	0.276	0.155



Appraiser title  
 Overall cut quality  
 Overall symmetry quality

AGS\_2005  
 0  
 IDEAL

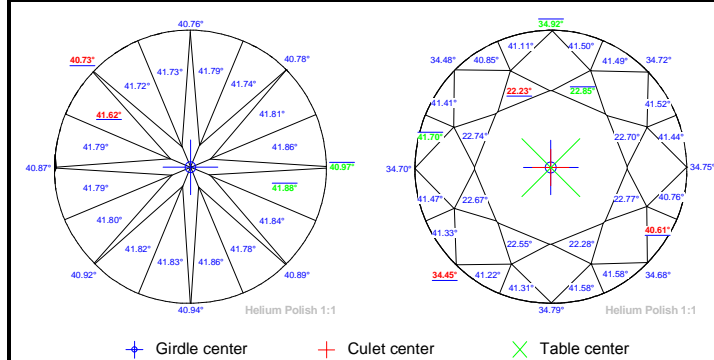
Color	K
Clarity	SI1
Polish	GIA EXCELLENT
Symmetry	GIA EXCELLENT
Fluorescence	FAINT

Parameter	Avg	Min	Max	Dev	Cut	Sym
Diameter, mm	7.412	7.390	7.435	0.60%	N/A	EX
Crown angle, °	34.69	34.45	34.92	0.47	N/A	EX
Pavilion angle, °	40.86	40.73	40.97	0.24	N/A	EX
Total height, %	61.99				N/A	-
Crown height, %	15.16	14.94	15.51	0.57	N/A	EX
Pavilion depth, %	43.08	42.94	43.26	0.32	N/A	EX
Table, %	56.16	55.95	56.43	0.48	N/A	EX
Culet, %	0.36	0.33	0.38	0.05	0	EX
Girdle Bezel, %	3.75	3.20	4.01	0.81	0	EX
Girdle Bone, %	3.72	3.27	4.00	0.73	-	EX
Girdle Valley, %	2.10	1.52	2.45	0.92	0	EX
Star: Upper ratio, %	51.17: 48.83	50.00: 50.00	52.22: 47.78	2.22	-	-
Star angle, °	22.60	22.23	22.85	0.61		EX
Upper girdle angle, °	41.31	40.61	41.70	1.09	-	EX
Lower girdle angle / Halves angle, °	41.79	41.62	41.88	0.26	-	EX
Twist, °	0.44	0.01	0.99	0.98	-	EX
Crown height, mm	1.123	1.107	1.149	0.042	-	-
Pavilion depth, mm	3.193	3.182	3.206	0.024	-	-
Table, mm	4.163	4.147	4.183	0.036	-	-
Culet, mm	0.027	0.024	0.028	0.004	-	-
Girdle Bezel, mm	0.278	0.237	0.297	0.060	-	-
Girdle Bone, mm	0.276	0.242	0.296	0.054	-	-
Girdle Valley, mm	0.155	0.113	0.181	0.068	-	-

## Measurement as per OctoNus theory:

Crown angle, °	34.69	34.58	34.85	0.27	-	-
Pavilion angle, °	40.86	40.81	40.92	0.11	-	-
Fish eye effect, °			8.87		N/A	-
Culet through Crown Bezel, °			8.97		N/A	-

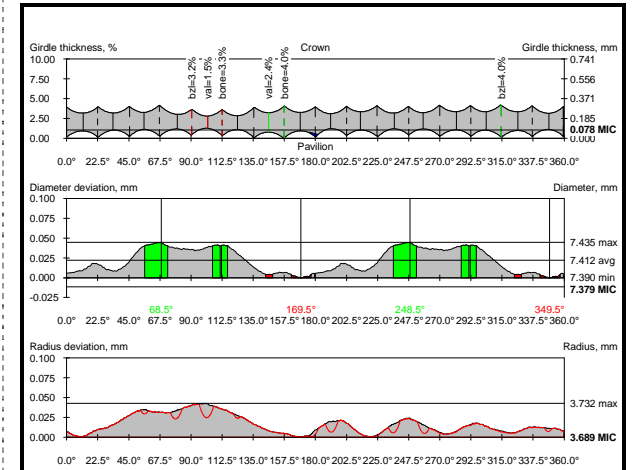
Parameter, °	1	2	3	4	5	6	7	8
Pav. azimuths deviation from ideal	0.00	0.18	0.09	0.33	0.14	-0.04	-0.24	-0.32
Crown azimuths deviation from ideal	-0.09	-0.80	0.51	-0.47	0.14	-1.00	-0.10	-0.23
Crown painting	-0.04	-0.18	0.06	-1.00	0.03	-0.56	0.73	0.01
Pavilion painting	-0.04	0.11	-0.07	0.04	-0.00	0.19	-0.10	-0.29
	0.06	-0.18	-0.01	-0.44	0.03	-0.21	0.03	0.26



	Offset by table axis	
Girdle-Culet	0.07 ± 0.18, %	0.005 ± 0.013, mm
Girdle-Table	0.05 ± 0.16, %	0.003 ± 0.012, mm
Table-Culet	0.09 ± 0.20, %	0.007 ± 0.015, mm

1	2	3	4	5	6	7	8
7.396	7.410	7.426	7.404				
34.70	34.48	34.92	34.72	34.75	34.68	34.79	34.45
40.97	40.78	40.76	40.73	40.87	40.92	40.94	40.89
15.17	15.16	15.51	15.25	15.19	15.05	15.00	14.94
43.08	43.09	43.26	42.94	43.04	43.10	43.10	43.04
55.95	56.16	56.43	56.08				
3.75	3.75	3.20	3.78	3.78	3.82	3.88	4.01
3.79	3.86	3.27	4.00	3.65	3.57	3.81	3.83
2.24	2.15	2.14	1.82	1.52	1.74	2.45	2.31
1.88	2.30	1.98	2.04	2.28	2.31	2.35	2.05
52.22: 47.78	51.09: 48.91	51.10: 48.90	51.31: 48.69	50.00: 50.00	50.89: 49.11	50.90: 49.10	51.82: 48.18
22.74	22.23	22.85	22.70	22.77	22.28	22.55	22.67
41.70	41.41	40.85	41.11	41.50	41.49	41.52	41.44
40.76	40.61	41.58	41.58	41.31	41.22	41.33	41.47
41.86	41.81	41.74	41.79	41.73	41.72	41.62	41.79
41.79	41.80	41.82	41.83	41.86	41.78	41.84	41.88
0.09	0.99	0.43	0.80	0.01	0.95	0.14	0.09
1.124	1.124	1.149	1.131	1.126	1.115	1.112	1.107
3.193	3.194	3.206	3.182	3.190	3.195	3.195	3.190
4.147	4.163	4.183	4.157				
0.278	0.278	0.237	0.281	0.280	0.283	0.288	0.297
0.281	0.286	0.242	0.296	0.270	0.265	0.283	0.284
0.166	0.159	0.158	0.135	0.113	0.129	0.181	0.171
0.139	0.170	0.147	0.152	0.169	0.172	0.174	0.152

34.73	34.58	34.85	34.58				
40.92	40.85	40.85	40.81				
Extra Facet / Nat			Yes (1)				
Girdle to MIC, mm			0.011				



Paint / Dug	Avg	Max	Type
Crown, °	-0.21	-1.10	Classical
Crown, notches	0.1, Negligible	0.3	
Pavilion, °	-0.04	-0.44	
Pavilion, notches	0.0, Negligible	0.1	