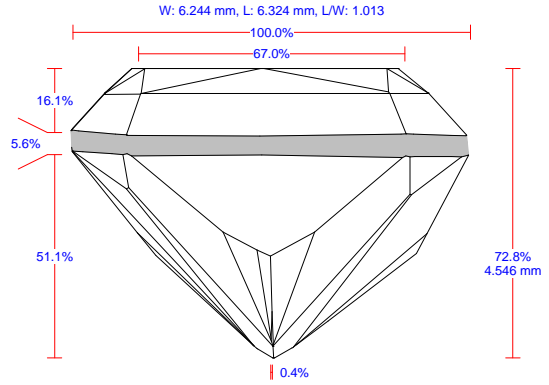


GOOD OLD GOLD, INC.

General information

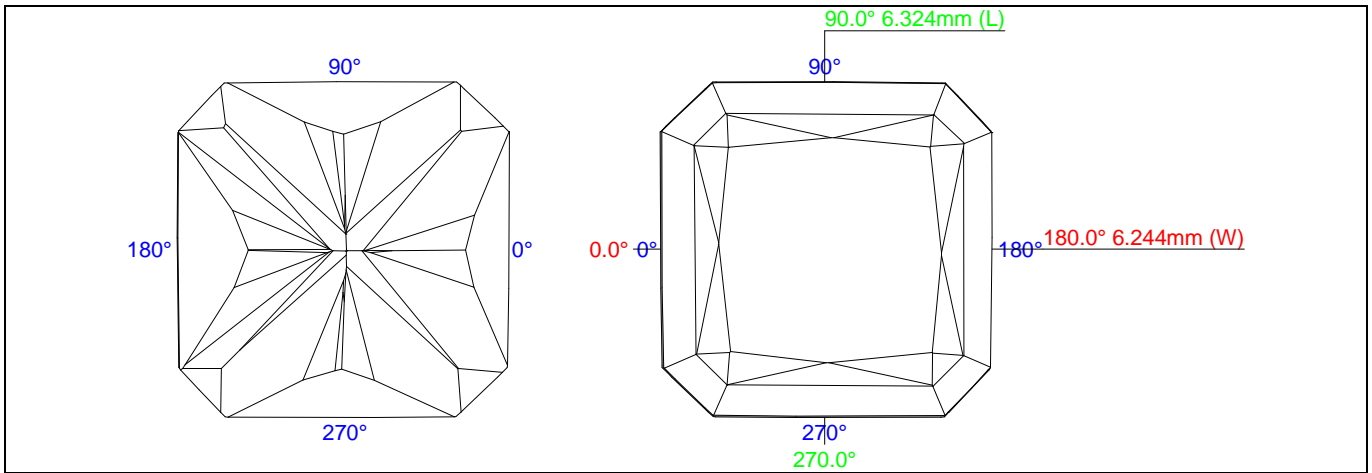
Model Simple
 Expert name Jonathan Weingarten
 Report date 01.09.2006
 Real weight, ct 1.510
 Weight, ct 1.50, 1.5062
 Total height 4.546 mm, 72.81 %
 Spread -0.28 ct, -22.60%



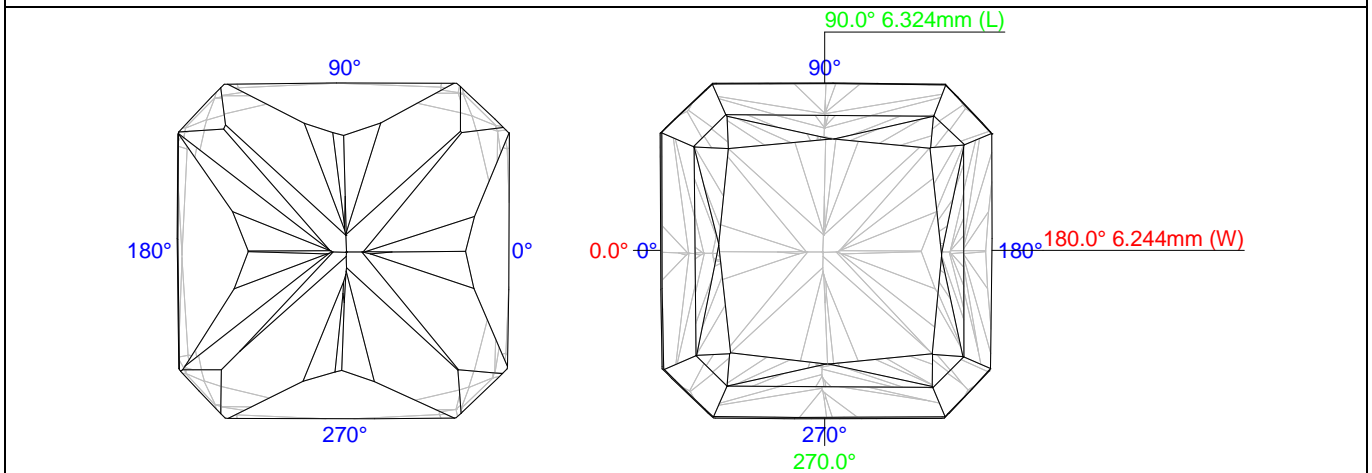
Main parameters

Parameter		Avg	Min	Max	Dev
Diameter	mm	7.267	6.244	7.663	22.72 %, 0.080 mm
Pavilion depth	%	51.13	50.41	51.89	1.48
	mm	3.193	3.148	3.240	0.092
Pavilion depth at girdle minima	%	51.81	50.99	52.99	2.00
	mm	3.235	3.184	3.309	0.125
Crown height	%	16.12	15.55	16.76	1.21
	mm	1.007	0.971	1.046	0.075
Crown height at girdle minima	%	16.50	15.68	17.17	1.49
	mm	1.031	0.979	1.072	0.093
Table	%	67.01	66.97	67.04	0.07
	mm	4.211	4.186	4.235	0.049
Culet	%	0.43	0.32	0.49	0.17
	mm	0.027	0.020	0.031	0.011
Girdle thickness: Bezel	%	5.56	5.38	5.90	0.52
Girdle thickness: Valley	%	4.50	4.14	4.65	0.51
Girdle thickness: Bezel	mm	0.347	0.336	0.368	0.033
Girdle thickness: Valley	mm	0.281	0.259	0.290	0.032

Pavilion and crown views of the diamond with indication of the diameter minimum and maximum

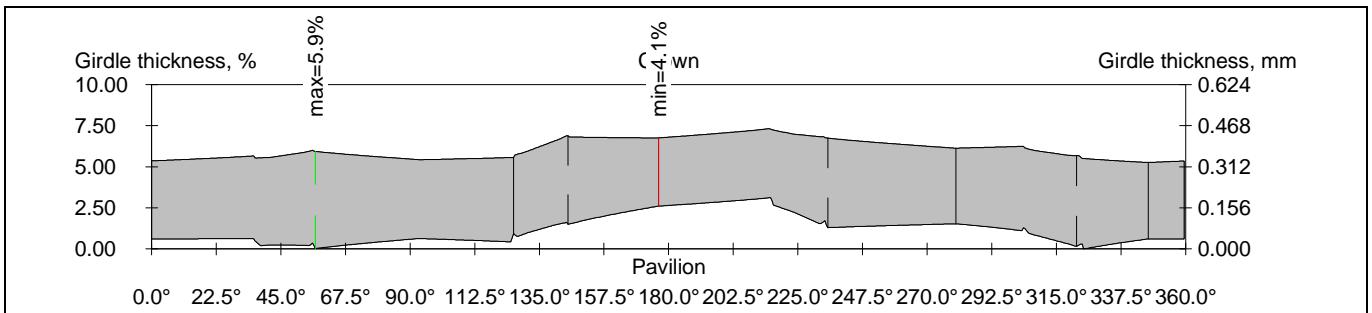


Invisible edges are hidden

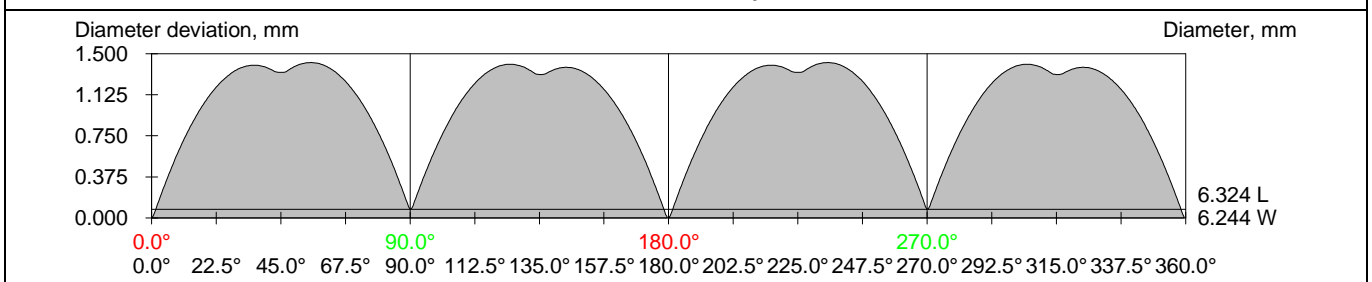


Invisible edges are drawn taking refraction into account

Plots

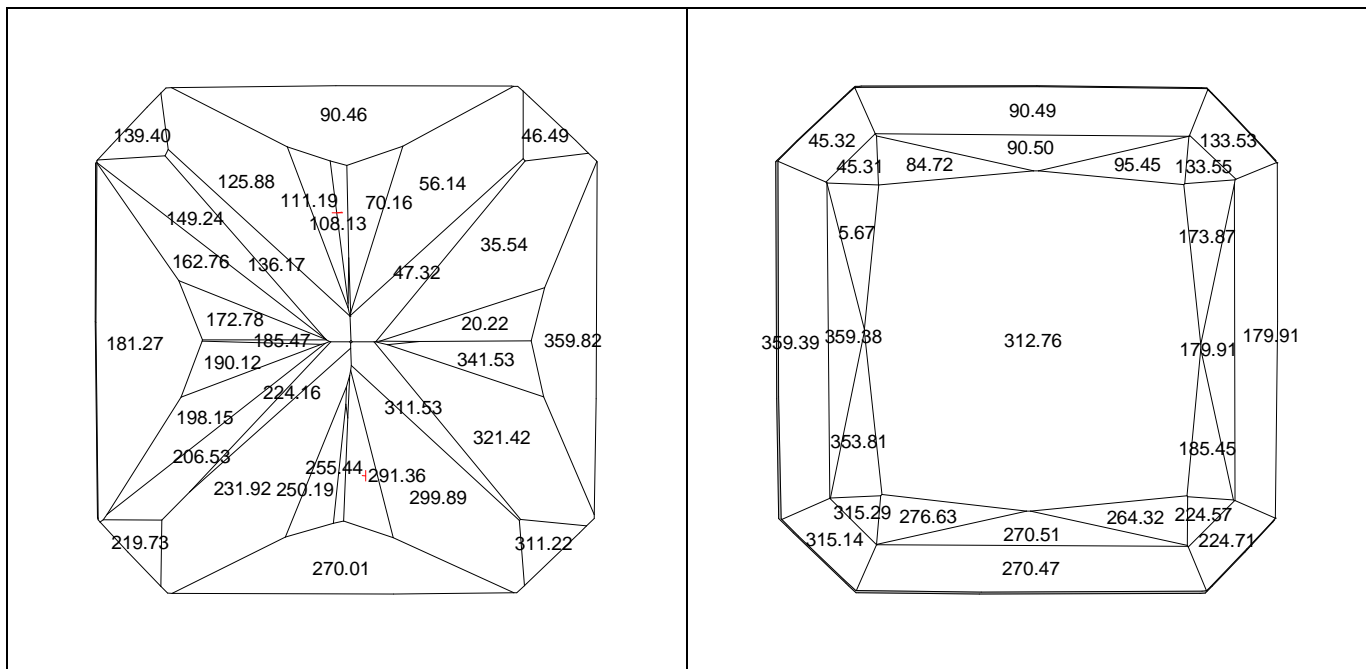


Girdle thickness plot

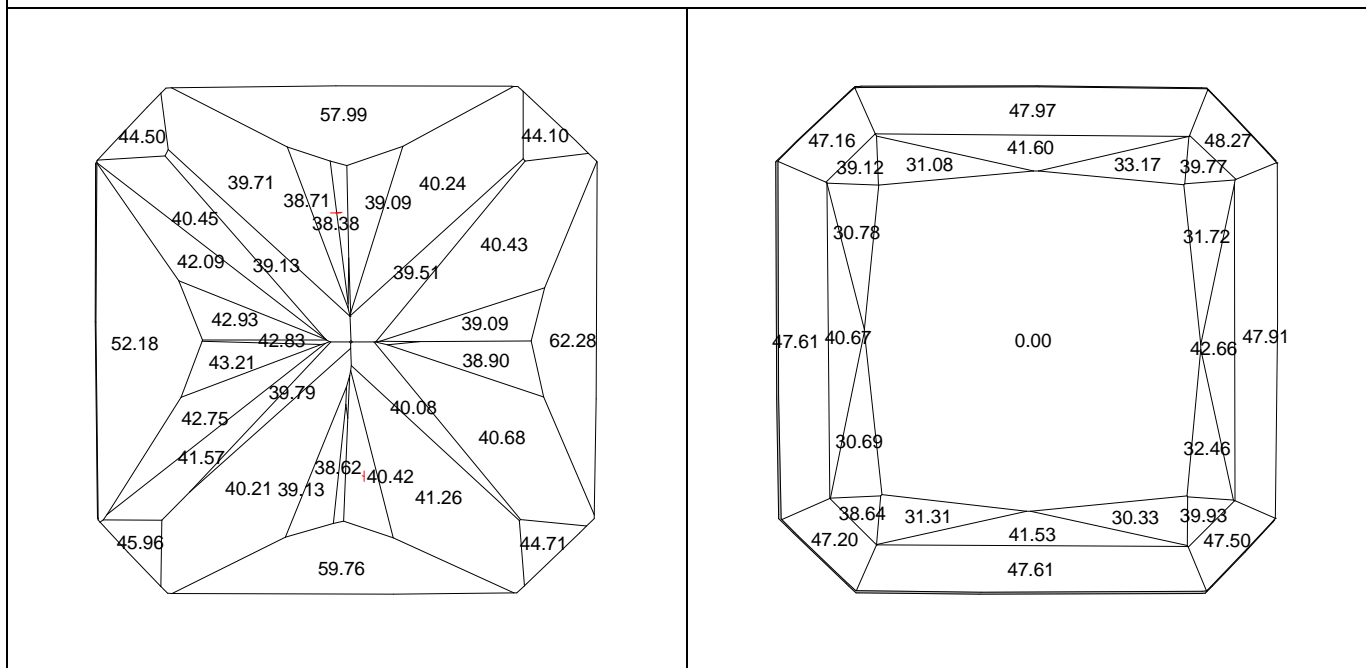


Diameter variation plot

Facets' azimuth and slope angles

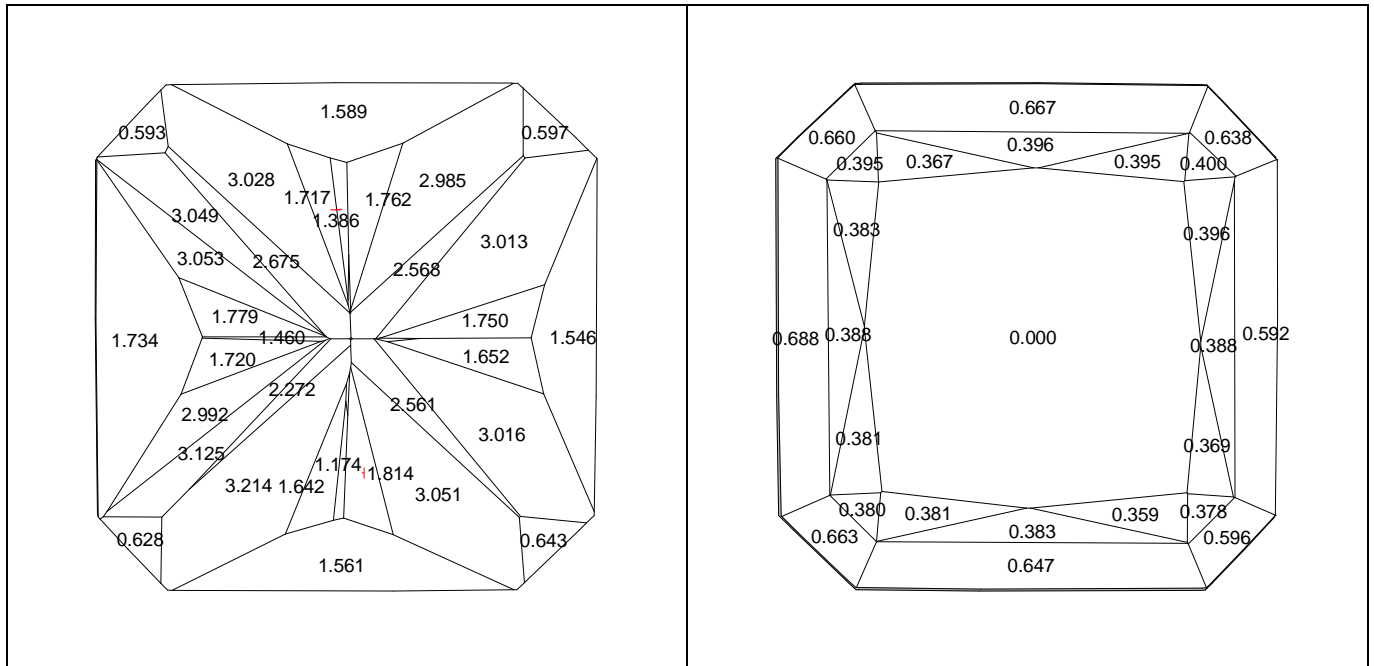


Pavilion and crown views of the diamond with indication of facets' azimuth angles

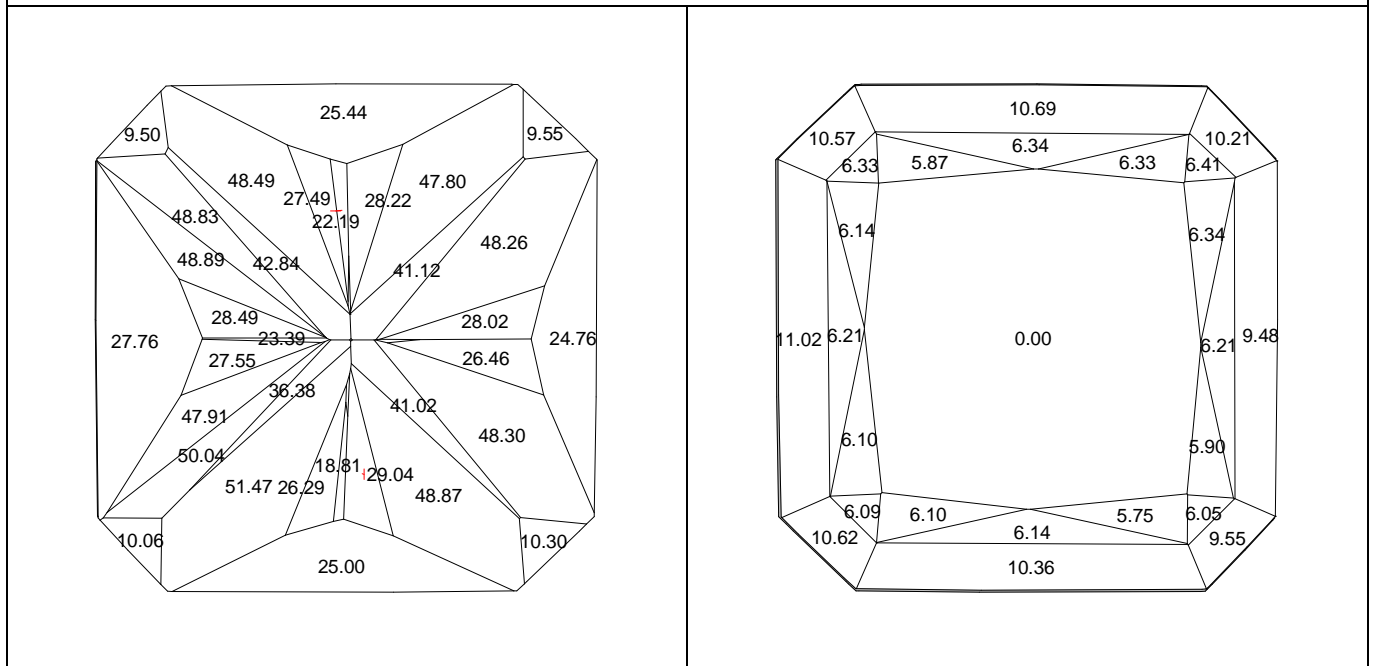


Pavilion and crown views of the diamond with indication of facets' slope angles

Facets' heights



Pavilion and crown views of the diamond with indication of facets' heights (mm)



Pavilion and crown views of the diamond with indication of facets' heights (%)

Additional illustrations

